

LM-8/8C

Analog lensmeter



High resolution
optics and sharper
target image
Easy verification of
cylindrical axis



LM-8/8C Analog lensmeter

Why is it so easy to measure lenses with a low range cylindrical power using the LM-8 series? The answer is the technological harmony of high magnification optics and excellent wide field eyepiece.

Two types of target at your choice

Two types of target are available for your preference: Topcon's original cross line target, and conventional corona target.

Topcon's original cross line target

Its new combination of corona and cross line target creates the sharpest image that you have ever seen. The central square spots gives extremely fine verification of cylindrical axis line.

Corona target

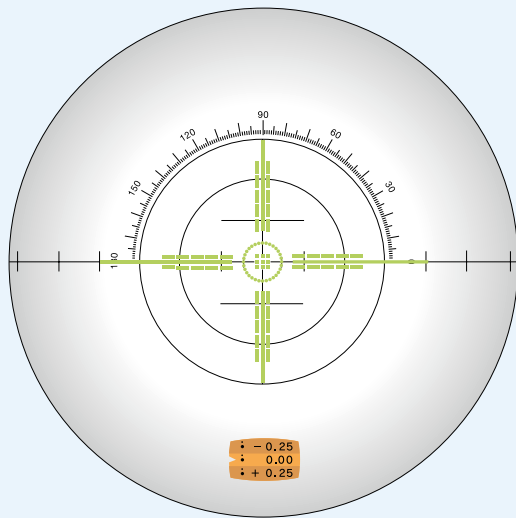
Simple but well proven and widely accepted, the corona target also offers superb results.

High and wide field eyepoint eyepiece

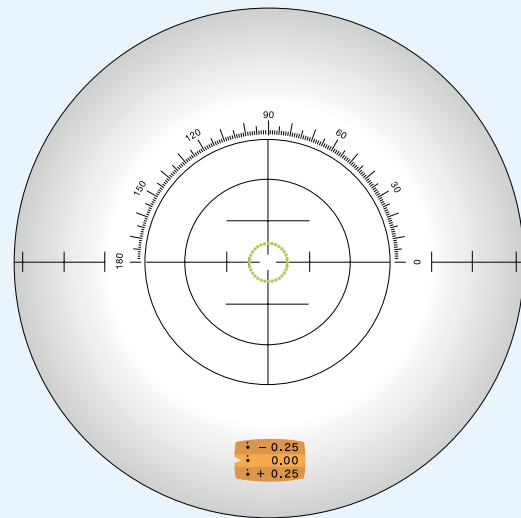
The newly designed eyepiece minimizes shading effect. Thanks to easy conformation of internal scale and target observation as well as irritation free measurement.

Clear visualization of spotting mark

The new optics of the LM-8 allow easy reading.



Topcon's Original cross line target (LM-8)



Corona target (LM-8C)



Clearly visible marking spots

A newly designed long life cartridge type spotting device makes marking easier and clearer. This ballpoint pen style cartridge provides sharp and clear marks on the lens to make the final blocking procedure simple. Replacing the cartridge is very easy and clean. The LM-8/8C makes use of the white ink to ensure marking durability especially on multi coated and clean coated glasses.

Steel needle inepad system is still available as an option.



Dry battery operated LED light

Almost eternal life LED light source eliminates the need of bulb replacement. The modern and stylish wireless design means flexibility in fitting the LM-8 into any environment you desire without having to install additional power outlets. AC adapter is also available as an optional accessory.



Contact lens measurement

The telescope can be set up to a position of 90° with a very stable base, for soft and hard contact lens measurement.

Prism compensator

An optional prism compensator is also available to measure the prismatic lens from 5 prism diopter to 14 prism diopter in 1 diopter step.

Specifications

	LM-8	LM-8C
Target	Topcon's Original Cross Line Target	Corona Target
Scale reading	Internal	
Vertex power scale	0 to $\pm 25D$	
Vertex power scale graduation	0.125D up to $\pm 5D$ / 0.25D above $\pm 5D$	
Prism diopter scale	0 to 6 prism diopters 1 Δ graduations	
Eyepiece adjustment	+3 to -5 diopters	
Lens diameter	24 mm to 90 mm in diameter	
Tilt angle	0° to 90°, freely adjustable	
Light source	LED 570 nm	
Dimensions	160 mm (W) x 420 mm (D) x 310 mm (H)	
Weight	approx. 4.0 kg	
Power source	Battery operated (1.5V sizeD x2) Auto shut off 5 min.	

Optional accessories

- | Prism compensator
- | Steel needle and ink pad

IMPORTANT

Subject to change in design and/or specifications without advanced notice.
In order to obtain the best results with this instrument, please be sure to review all user instructions prior to operation.
Manufacturer: Topcon Corporation.



Topcon Europe Medical B.V.
Essebaan 11; 2908 LJ Capelle a/d IJssel; P.O. Box 145;
2900 AC Capelle a/d IJssel; The Netherlands
Phone: +31-(0)10-4585077; Fax: +31-(0)10-4585045
E-mail: medical@topcon.eu; www.topcon-medical.eu

Topcon Danmark
Praestemarksvej 25; 4000 Roskilde, Denmark
Phone: +45-46-327500; Fax: +45-46-327555
E-mail: info@topcon.dk
www.topcon.dk

Topcon Scandinavia A.B.
Neongatan 2; P.O. Box 25; 43151 Mölndal, Sweden
Phone: +46-(0)31-7109200; Fax: +46-(0)31-7109249
E-mail: medical@topcon.se; www.topcon.se

Topcon España S.A.
HEAD OFFICE; Frederic Mompou, 4;
08960 Sant Just Desvern; Barcelona, Spain
Phone: +34-93-4734057; Fax: +34-93-4733932
E-mail: medica@topcon.es; www.topcon.es

Topcon Italy
Viale dell' Industria 60;
20037 Paderno Dugnano, (MI) Italy
Phone: +39-02-9186671; Fax: +39-02-91081091
E-mail: info@topcon.it; www.topcon.it

Topcon France
BAT A1; 3 route de la révolte, 93206 Saint Denis Cedex
Phone: +33-(0)1-49212323; Fax: +33-(0)1-49212324
E-mail: topcon@topcon.fr; www.topcon-medical.fr

Topcon Deutschland GmbH
Hanns-Martin-Schleyer Strasse 41;
D-47877 Willich, Germany
Phone: (+49) 2154-885-0; Fax: (+49) 2154-885-177
E-mail: info@topcon-medical.de; www.topcon-medical.de

Topcon Polska Sp. z o.o.
ul. Warszawska 23; 42-470 Siewierz; Poland
Phone: +44-(0)1635-551120; Fax: +44-(0)1635-551170
www.topcon-polska.pl

Topcon Great Britain Ltd.
Topcon House; Kennet Side; Bone Lane; Newbury
Berkshire RG14 5PX; United Kingdom
Phone: +44-(0)1635-551120; Fax: +44-(0)1635-551170
E-mail: medical@topcon.co.uk; www.topcon.co.uk

Topcon Ireland
Unit 276, Blanchardstown; Corporate Park 2
Ballycoolin; Dublin 15, Ireland
Phone: +353-18975900; Fax: +353-18293915
E-mail: medical@topcon.ie; www.topcon.ie



TOPCON CORPORATION

75-1 Hasunuma-cho, Itabashi-ku, Tokyo 174-8580, Japan.
Phone: 3-3558-2523/2522, Fax: 3-3960-4214, www.topcon.co.jp